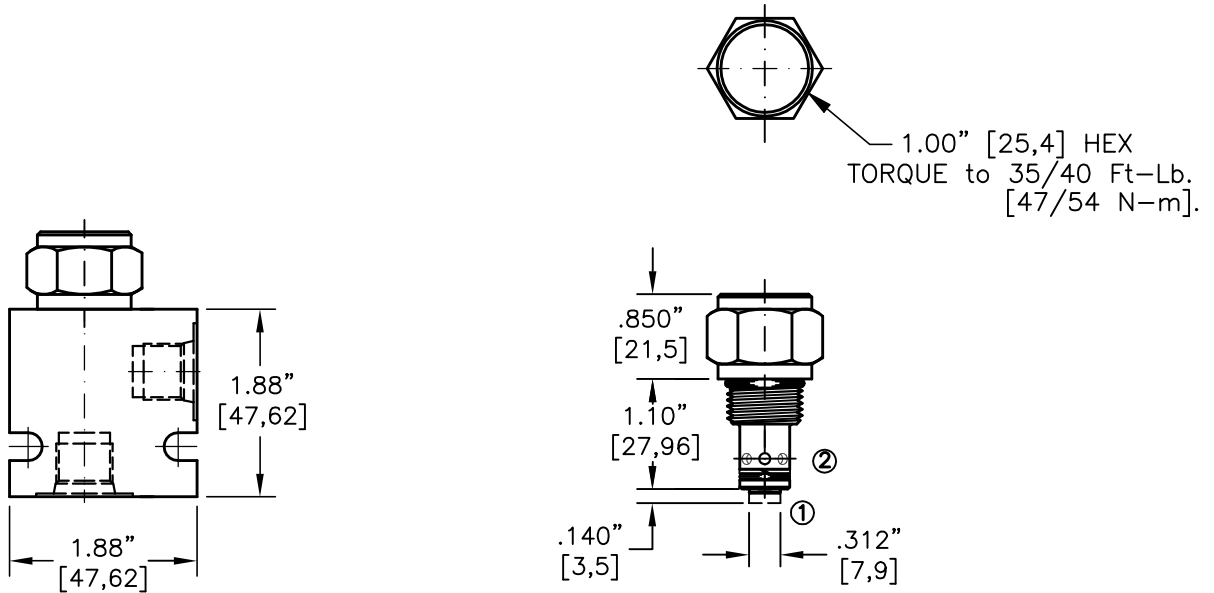
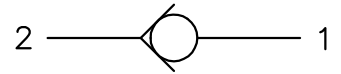




CHECK VALVE REVERSE GUIDED POPPET

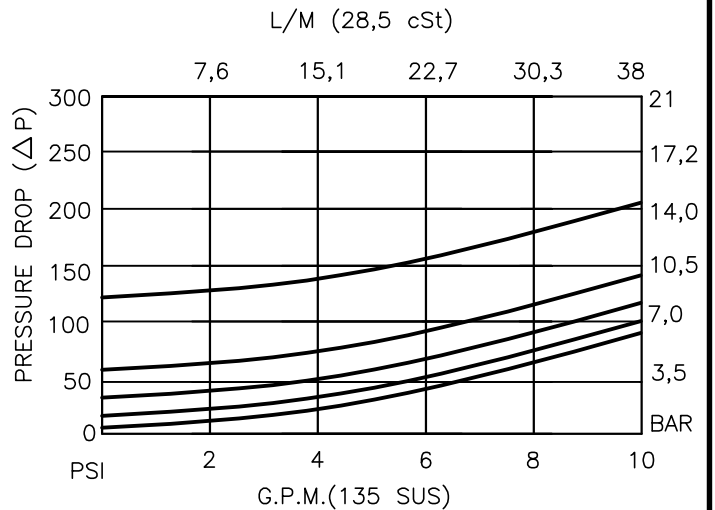


NOTE: CAVITY BOTTOM HOLE MUST ALLOW FOR POPPET EXTENSION (.438 DIA.)

FOR ALUMINUM OR STEEL VALVE HOUSING CONFIGURATIONS SEE PAGE 0-011.1

CVRP-08-X-X-XXX

- BASIC
- SIZE  
08 = 3/4"-16 UNF
- SEALS  
N = BUNA "N"  
V = VITON
- PORTS  
0 = CARTRIDGE ONLY  
02BX = G 1/4" BSPP  
06TX = SAE - #6  
"A" - ALUM. HOUSING  
"S" - STEEL HOUSING
- CRACK PRESSURE  
005 = 5 PSI  
015 = 15 PSI  
030 = 30 PSI  
060 = 60 PSI  
120 = 120 PSI





## CHECK VALVE REVERSE GUIDED POPPET

### DESCRIPTION

This unit is a SCREW IN, cartridge type, guided poppet, hydraulic check valve, for use as a blocking or load holding device for high pressure applications.

### OPERATIONS

This valve allows free flow from port 2 to port 1 and blocks flow from port 1 to port 2 or holding a load.

### FEATURES AND BENEFITS

Wide selection of bias springs allows flexibility for back-pressure application.

All external carbon steel parts are plated for longer life against the elements.  
All cartridge valves are 100% functionally tested.  
Industry common cavity.

### SPECIFICATIONS

OPERATING PRESSURE: 5,000 PSI [350 Bar]

PROOF PRESSURE: 10,000 PSI [700 Bar]

FLOW: 10.0 GPM [38 l/m] nominal. See performance chart.

INTERNAL LEAKAGE: 5 drops per minute maximum @ 5,000 PSI [350 Bar]

VALVE HOUSINGS: 2500 PSI [175 Bar] = Aluminum - Anodized.

5000 PSI [350 Bar] = Steel - Unplated.

OPERATING TEMPERATURE: -40° to +250° F. [-40° to +120° C.]

OPERATING MEDIA: All general purpose hydraulic fluids such as  
MIL-H-5606, SAE-#10, SAE-#20, etc.

INSTALLATION: No restrictions.

SEAL KIT: SKN-0821 Buna "N"

SKV-0821 Viton

WEIGHT: .20 lb [.12 kg] cartridge only.

VALVE CAVITY: #C0820, See Page 0-011.0.